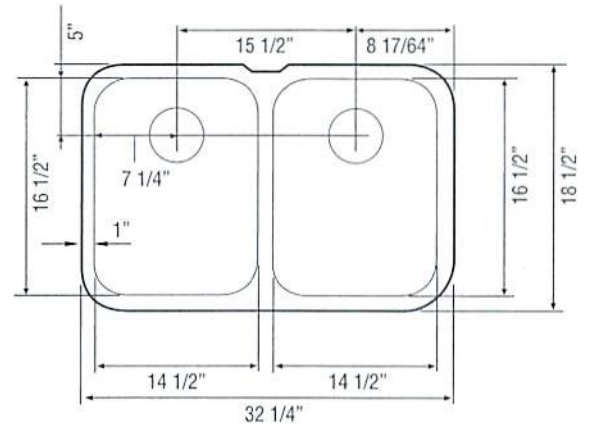
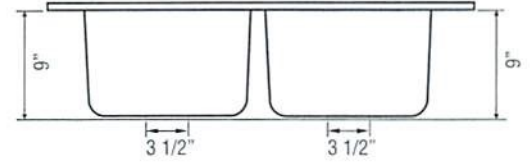


- Seamless design
- Template included
- Meets or exceeds ASME/ANSI A1 12.19.3m
- CSA/IAPMO approved

**PFUE206**  
**PFUE208**

## GENERAL SPECIFICATIONS PFUE206

- Stainless steel double-bowl sink
- 18 gauge
- 32-1/4" x 18-1/2" overall size
- 14-1/2" x 16-1/2" bowl size
- 9" bowl depth
- Sink clips included



## GENERAL SPECIFICATIONS PFUE208

- Stainless steel double-bowl sink
- 18 gauge
- 34-1/2" x 20-1/2" overall size
- 15-1/2" x 18-1/2" bowl size
- 8-1/2" bowl depth
- 3-1/2" drain diameter
- Sink clips included

